

PROTECH LED

be creative



SPECIFICATION

AT-RGBW30-WALL-1





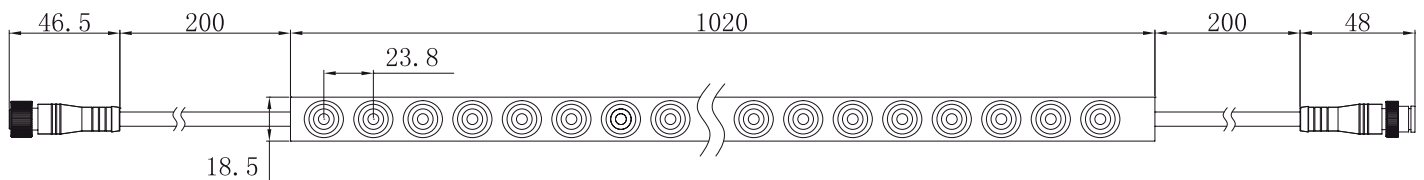
AT-RGBW30-WALL-1

INTRODUCTION

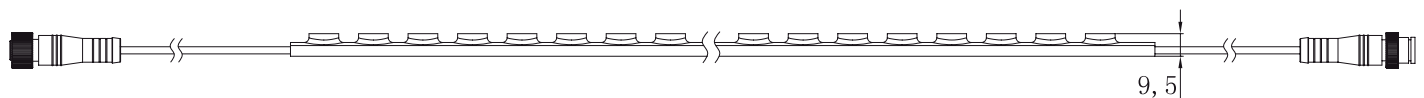
- Adopting TPU material, it's resistant to yellowing, high temperature, corrosion, weak acid and alkali, and has great flexibility.
- PU glue is used for filling and sealing, so that it has strong adhesion, good durability and high reliability.
- Various beam angles (15°, 30°, 45°, 15*60°) are available for different applications.
- Using high-quality waterproof RGB light source and RGBW light source, with high brightness, low power consumption and good consistency.
- Colorful, compatible with various controllers and amplifiers, realizing jump change and gradual change effect simultaneously.



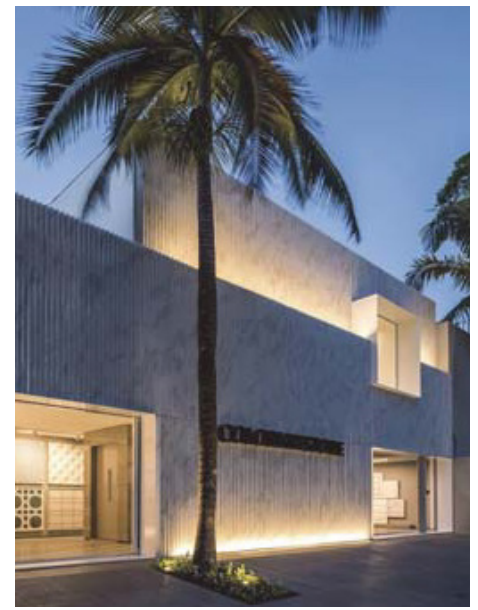
DIMENSION



The max. length for per roll is 5 meters.



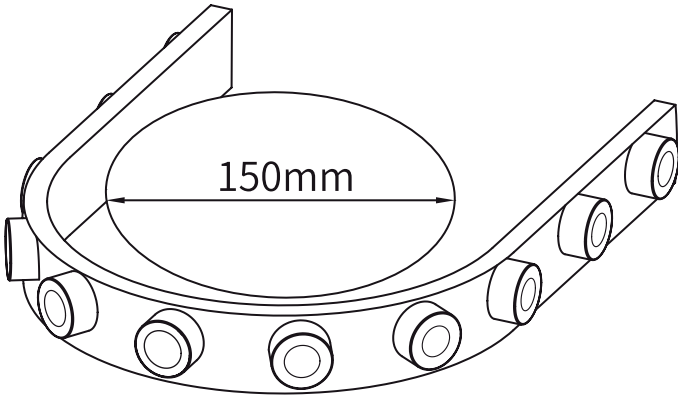
APPLICATION





AT-RGBW30-WALL-1

BENDING DIAMETER



ACCESSORY



3M Tape



Plastic Holding Clips



Stainless Steel Mounting Clips



Aluminum Profile

ELECTRICAL DATA

Voltage	24V
Power	≤8.5W
Beam angle	15°/30°/45°/15*60°
LEDs/M	42LEDs

Working hour	50000
Working temperature	-25°C~+45°C
Cutable length (mm)	166.6
Waterproof	IP67

RGBW

Color	R	G	B	B	RGB	RGBW
Power	2.2W	2.1W	2W	1.8W	6.2W	8W
Lumen/m	77	212	45	211	264	540
Wavelength/CCT	620-630 nm	520-530 nm	464-474 nm	3000 k		

